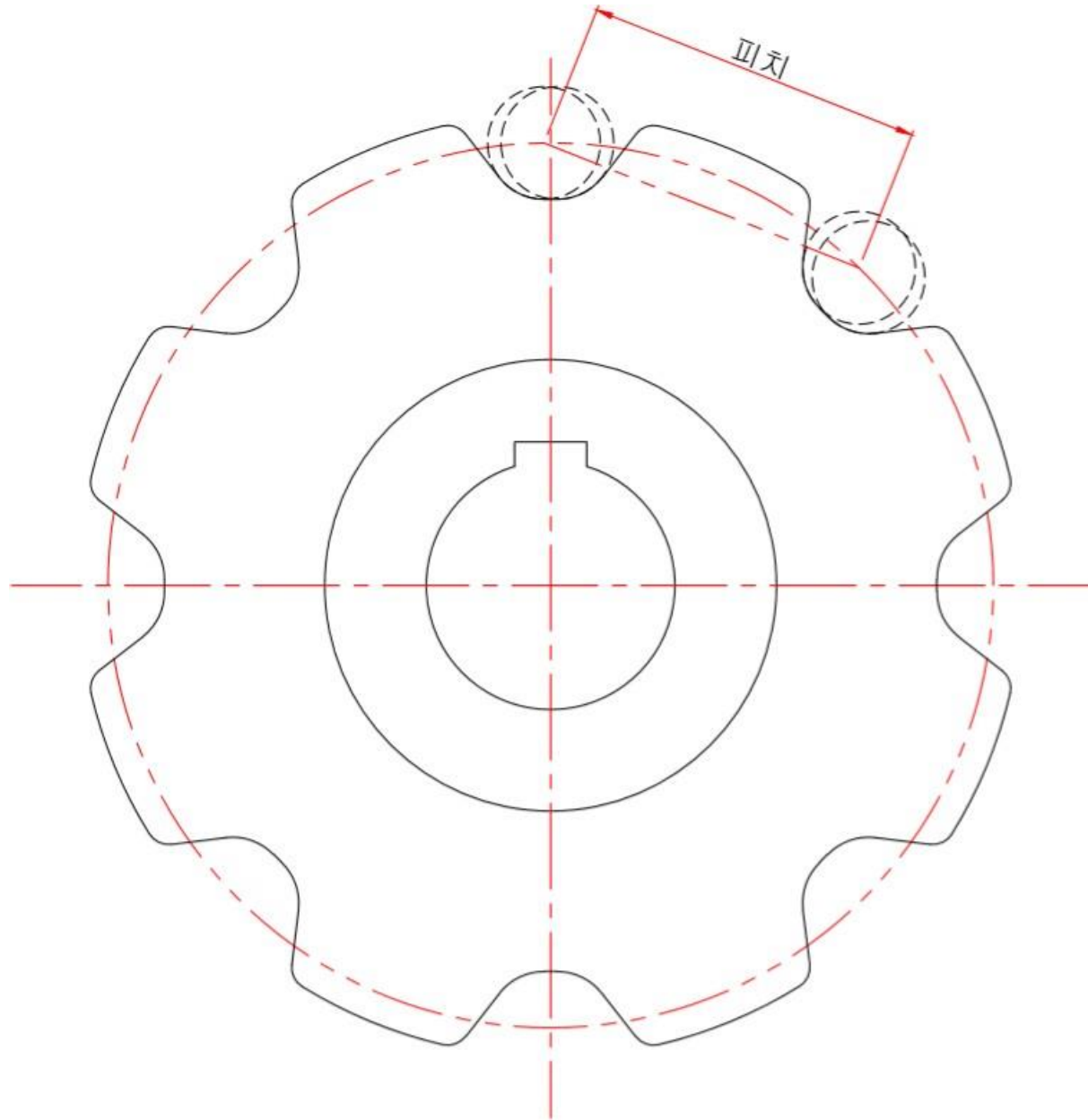


컨베이어기어 (CONVEYOR GEAR)



	66.7	75	78.11	100	101.6	125	150	152.4	200	250	300	350	400	450	500	600
6	132.5	150.0	156.2	200.0	203.2	250.0	300.0	304.8	400.0	500.0	600.0	700.0	800.0	900.0	1000.0	1200.0
7	152.7	172.9	180.0	230.5	234.2	288.1	345.7	351.2	461.0	576.2	691.4	806.7	921.9	1037.1	1152.4	1382.9
7.5	162.9	184.4	192.0	245.9	245.9	307.3	368.8	374.7	491.7	614.6	737.6	860.5	983.4	1106.4	1229.3	1475.2
8	173.2	196.0	204.1	261.3	265.5	326.6	392.0	398.2	522.6	653.3	783.9	914.6	1045.3	1175.9	1306.6	1567.9
9	193.8	219.3	228.4	292.4	297.1	365.5	438.6	445.6	584.8	731.0	877.1	1023.3	1169.5	1315.7	1461.9	1754.3
10	214.5	242.7	252.8	323.6	328.8	404.5	485.4	493.2	647.2	809.0	970.8	1132.6	1294.4	1456.2	1618.0	1941.7
11	235.2	266.2	277.2	354.9	360.6	443.7	532.4	540.9	709.0	887.4	1064.8	1242.3	1419.8	1597.3	1774.7	
12	256.2	289.9	301.8	386.4	392.6	483.0	579.6	588.8	772.7	965.9	1159.1	1352.3	1545.5	1738.7	1931.9	
12.5	266.5	301.6	314.1	402.1	408.5	502.6	603.2	612.8	804.2	1005.3	1206.3	1407.4	1608.4	1809.5		
13	276.9	313.4	326.4	417.9	424.5	522.3	626.8	636.8	835.7	1044.6	1253.6	1462.5	1671.4	1880.4		
14	297.8	337.0	351.0	449.4	456.6	561.7	674.1	684.9	898.8	1123.5	1348.2	1572.9	1797.6			
15	318.7	360.7	375.7	481.0	488.7	601.2	721.5	733.0	962.0	1202.4	1442.9	1683.9	1923.9			
16	339.7	384.4	400.4	512.6	520.8	640.7	768.9	781.2	1025.2	1281.5	1537.8	1794.0				
17	360.7	408.2	425.1	544.2	552.9	680.3	816.3	829.4	1088.4	1360.6	1632.7	1904.8				
18	381.6	431.9	449.8	575.9	585.1	719.8	863.8	877.6	1151.8	1439.7	1727.6					
19	402.6	455.7	474.6	607.6	617.3	759.4	911.3	925.9	1215.1	1518.9	1822.7					
20	423.6	479.4	499.3	639.2	649.5	799.1	958.9	974.2	1278.5	1598.1	1917.8					
21	444.6	503.2	524.1	671.0	681.7	838.7	1006.4	1022.5	1341.9	1677.4						
22	465.7	527.0	548.9	702.7	713.9	878.3	1054.0	1070.9	1405.3	1756.7						
23	486.7	550.8	573.6	734.4	746.1	918.0	1101.6	1119.2	1468.8	1836.0						
24	507.7	574.6	598.4	766.1	778.4	957.7	1149.2	1167.6	1532.3	1915.3						
25	528.8	598.4	623.2	797.9	810.6	997.3	1196.8	1216.0	1595.7	1994.7						
30	634.0	717.5	747.3	956.7	972.0	1195.9	1435.0	1458.0	1913.4							